



DECO | LIGHTING

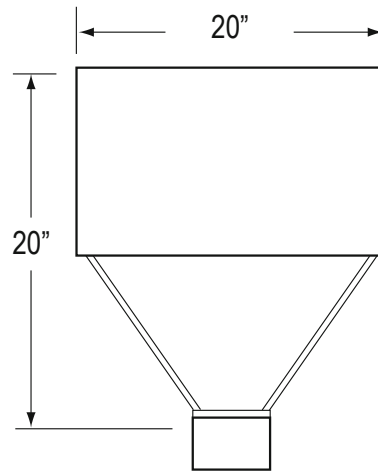
D838-LED

Cone Luminaire



Job Information

Type:	
Catalog #:	
Project:	
Comments:	
Prepared by:	



Description

The D838-LED is a post top luminaire with a cone shaped lens distributes a broad light pattern for general area/site lighting applications.

Ordering Information

Example: (D838-LED-60-30-UNV-T5-PT-DB-WDF)



Series	Wattage/Lumen	Color Temp.	Voltage	Optics	Mounting	Finish	Option							
Cone Luminaire	20	20W/2190 ³	30	3000K	UNV	120-277V	T2	Type 2	IP	Internal Fitter	DB	Dark Bronze ¹	SM	Smart Dim*
	30	30W/3276 ³	35	3500K	347	347V	T3	Type 3	PT	Post Top 2 3/8" Tenon	BL	Black	PC	Photocell ⁵
	40	40W/4368 ³	40	4000K	480	480V	T5	Type 5 ¹			WH	White	WSF	Wired Single Fuse ⁵
	60	60W/6552 ³	50	5000K ⁴		(Step-Down Transformer used for 480V Divider)					PS	Platinum Silver	WDF	Wired Double Fuse ⁵
	80	80W/8736 ³									GR	Gray	HS	Internal House Side Shield
	100	100W/10920 ^{3,6}									RD	Red		
	120	120W/13110 ^{3,6}									FG	Forest Green		
											CC	Custom ²		

¹ Standard for fixture
² Contact factory for custom finish
³ Delivered Lumens (5000K)
⁴ Standard Color Temp.
⁵ Specify Voltage (eg. 120V)
⁶ Smart Dim Available

Deco Lighting practices a program of continuous product development, and as a result product specifications change frequently. We reserve the right to change product specifications without notice. Contact Deco for the latest product information.

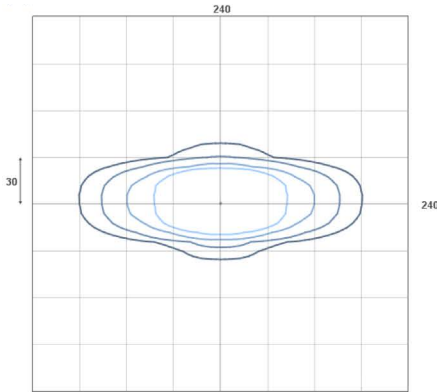
©2016 Deco Lighting, www.getdeco.com T: (800) 613-DECO F: (310) 366-6855
Rev Date: 7/27/16 #1

Features

- Round spun aluminum housing, hinges up for relamping.
- Gasketed, one-piece, pyramid shaped, clear acrylic lens for broad light pattern.
- Cast aluminum internal fitters mount inside 4" square pole or over 2 3/8" OD tenon.
- Set screws provide secure fastening to pole.
- Durable polyester powder coat paint finish assures long life and maintenance-free service.
- UL 1598 listed and CSA certified for outdoor use in wet locations.

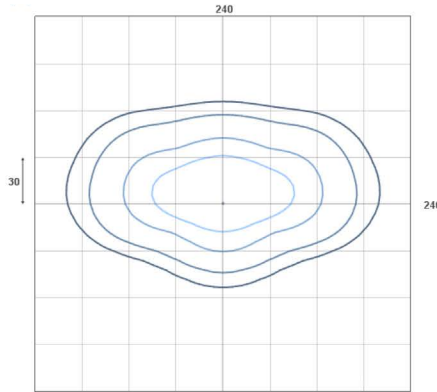
Photometric Data

D838-LED 120W Type II



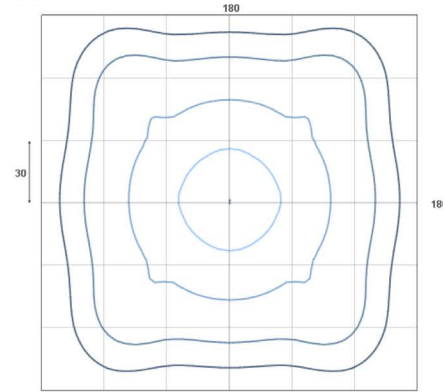
Calculation Area:	240'x240'
Point Spacing:	24'x24'
Max Luminance:	5.2 fc
Area > 0.5fc:	4536 ft ²

D838-LED 120W Type III/ Type IV



Calculation Area:	240'x240'
Point Spacing:	24'x24'
Max Luminance:	2.9 fc
Area > 0.5fc:	6732 ft ²

D838-LED 120W Type V



Calculation Area:	180'x180'
Point Spacing:	18'x18'
Max Luminance:	1.9 fc
Area > 0.5fc:	7533 ft ²

Performance Data

CRI:	80+												
CCT:	3000K, 3500K, 4000K, 5000K												
Warranty:	10 yr. Limited Warranty												
Dimming:	Available with 0-10V inputs dimming down to 10%												
Operating Temperature:	0°-60°C Max Ambient												
L70 Rating:	100,000+ Hours												
EPA:	1.7												
IP Rating:	IP65												
Driver Current:	700mA												
Sound Rating:	Class A (inaudible in a 24dB ambient environment)												
BUG Rating:	<table border="1"> <tr><td>Type 2</td><td>B3</td><td>U2</td><td>G2</td></tr> <tr><td>Type 3</td><td>B3</td><td>U2</td><td>G3</td></tr> <tr><td>Type 5</td><td>B4</td><td>U1</td><td>G2</td></tr> </table>	Type 2	B3	U2	G2	Type 3	B3	U2	G3	Type 5	B4	U1	G2
Type 2	B3	U2	G2										
Type 3	B3	U2	G3										
Type 5	B4	U1	G2										

Delivered Light Output & Equivalency Chart

HID to LED Replacement		
DELIVERED LUMENS	HID	LED Replacement
1300lm	50W	10W
2600lm	70W	20W
3900lm	100W	30W
5200lm	150W	40W
7800lm	175W	60W
11700lm	250W	80W
15600lm	400W	120W
26000lm	750W	200W
31200lm	1000W	240W

Interested in upgrading from HID to LED lighting? Use the conversion table below to get a general idea of what wattage LED fixture will replace your current lighting system. Lumen output and overall performance will vary by fixture, so please contact our factory or your nearest sales rep regarding specific questions on what wattage will best suit your desired space and application.

Smart Dim Option

Please Note: The Smart Dim option requires a control device, such as a photocell or other centralized system, in order for the unit to function properly.

Maximize energy-savings with the Dynadimmer 0-10V luminaire-based control for outdoor applications

Dynadimmer 0-10V is a lamp control device that enables high energy savings with low installation efforts. The small, stand-alone, luminaire-based device can drive a 1-10V electronic ballast to facilitate on-demand light levels and does not require an additional switching wire. The Dynadimmer 0-10V dimming schedule is flexible with up to five dimming levels and five time periods. Easy-to-operate software and programming equipment enable end users to re-program dim times and levels when and as they wish. Offering energy-efficiency and flexibility, the Dynadimmer 0-10V control is ideal for residential, roadway, parking, and industrial applications.

VIEW FULL SENSOR SPEC SHEET BELOW:

http://www.getdeco.com/wp-content/themes/deco-digital/pdf/PA-7320-B-Dynadimmer_v2_web.pdf



The Dynadimmer 0-10V solution offers:

- Reduced energy usage through dimming
- Reduced light nuisance
- Very small size; fits inside almost any luminaire
- Easy-to-use software provides a forecast of energy savings