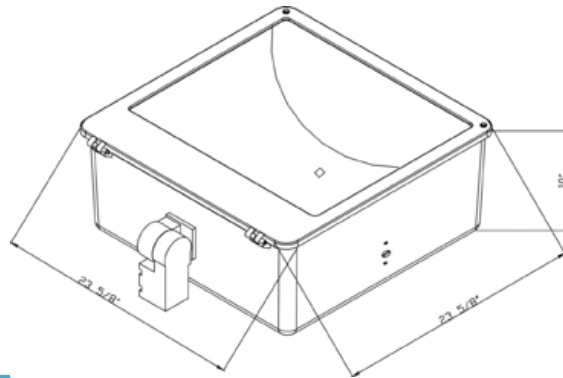


# D823-LED

## 23" Area Light



### Job Information

Type:	
Catalog #:	
Project:	
Comments:	
Prepared by:	

### Description

The D823-LED 23" floodlight is the right choice for applications requiring high levels, excellent beam utilization, and smooth distribution making the D823-LED ideal for tennis courts, building perimeters and large parking lots. This versatile luminaire can be aimed as a floodlight, or mounted 90° for traditional shoebox applications. The one piece die cast aluminum door has two captive stainless steel fasteners and can be removed from the die cast aluminum housing for easy maintenance.

### Ordering Information

Example: (D823-LED-240-40-UNV-T3-YM-BL-PC)



Series	Wattage/Lumen	Color Temp.	Voltage	Optics	Mounting	Finish	Option							
23" Area Light	120	120W/13104 <sup>3,5</sup>	30	3000K	UNV	120-277V	T2	Type 2	YM	Yoke Mount	BZ	Bronze <sup>1</sup>	SM	Smart Dim*
	140	140W/15288 <sup>3,5</sup>	35	3500K	347	347V	T3	Type 3	LYM	Large Yoke Mount	BL	Black	PC	Photocell
	160	160W/17742 <sup>3,5</sup>	40	4000K	480	480V	T5	Type 5 <sup>1</sup>			WH	White	PT3	3' Pre-wired Cord
	180	180W/19656 <sup>3,5</sup>	50	5000K <sup>4,5</sup>					SF	Slip Fitter	CU	Custom <sup>2</sup>	PT6	6' Pre-wired Cord
	200	200W/21840 <sup>3,5</sup>				(Step-Down Transformer used for 480V Divider)			PM6	Pole Mount 6			WSF	Wired Single Fuse
	240	240W/26208 <sup>3,5</sup>							WB	Wall Mount Bracket			WDF	Wired Double Fuse
	260	260W/28392 <sup>3,5</sup>											GS	Glare Shield
	280	280W/30576 <sup>3</sup>							RPM	Round Pole Mount			WG	Wire Guard
	300	300W/32760 <sup>3,5</sup>							HK	14" Heavy Duty Adjustable			PIR	Passive Infrared Sensor
														MS
													SG	Surge Protection 10kVA

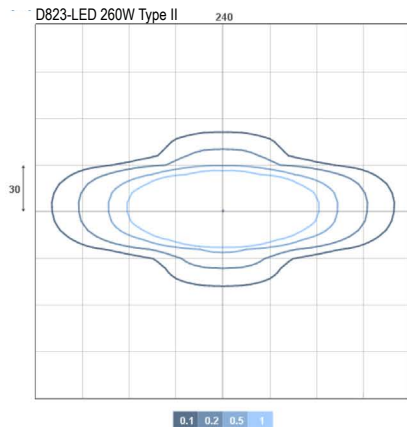
\*Requires additional control device, see Page 4 for more info

<sup>1</sup> Standard for fixture  
<sup>2</sup> Contact factory for custom finish  
<sup>3</sup> Delivered Lumens (5000K)  
<sup>4</sup> Standard Color Temp.  
<sup>5</sup> DLC Listed  
<sup>6</sup> 20ft mounting height lens standard. Contact factory for higher mounting.

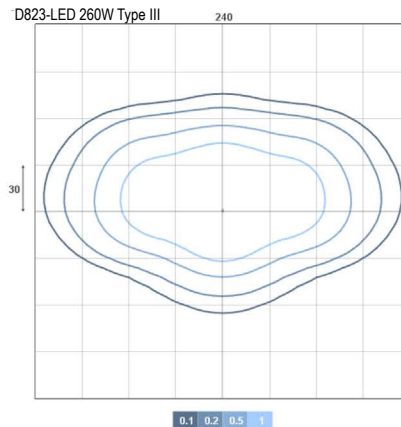
## Features

- Extruded silicone rubber gasket for long life
- UL 1598 listed for wet locations
- Standard color is bronze; also available in black and white. Contact factory for custom finishes.
- EPA 2.23
- DLC listed in 5000K at specified wattage packages
- Dark Sky Friendly when used with Type III, V reflectors (at 90° full cutoff position) at 3000K
- Surge protection 2kVa standard

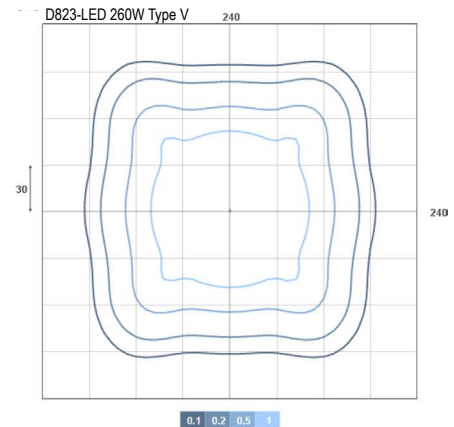
## Photometric Data



Calculation Area:	240'x240'
Point Spacing:	24'x24'
Max Luminance:	11.3 fc
Area > 0.5fc:	6372 ft <sup>2</sup>



Calculation Area:	240'x240'
Point Spacing:	24'x24'
Max Luminance:	6.3 fc
Area > 0.5fc:	12168 ft <sup>2</sup>



Calculation Area:	240'x240'
Point Spacing:	24'x24'
Max Luminance:	4.2 fc
Area > 0.5fc:	16488 ft <sup>2</sup>

## Performance Data

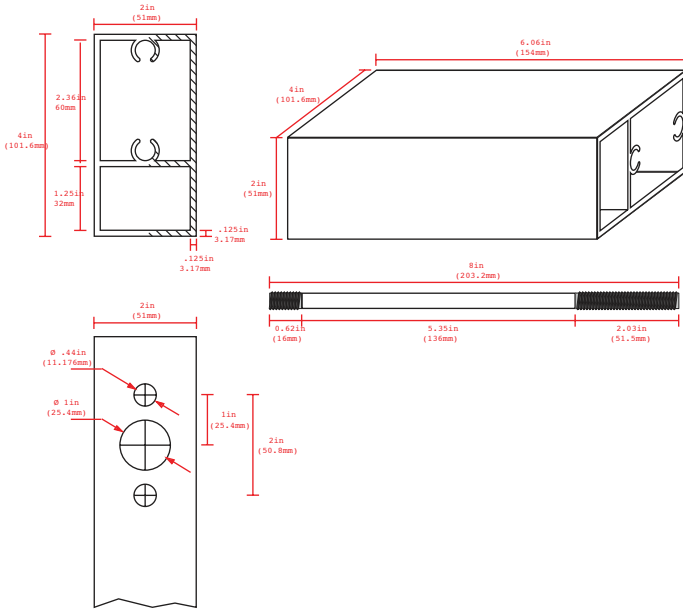
CRI:	80+			
CCT:	3000K, 3500K, 4000K, 5000K			
Warranty:	10 yr. Limited Warranty			
Dimming:	Available with 0-10V inputs dimming down to 10%			
Operating Temperature:	0°-60°C Max Ambient			
L70 Rating:	100,000+ Hours			
EPA:	2.23			
IP Rating:	IP65			
Driver Current:	700mA			
Sound Rating:	Class A (inaudible in a 24dB ambient environment)			
BUG Rating:	Type 2	B4	U2	G3
	Type 3	B4	U2	G4
	Type 5	B5	U2	G3

## Delivered Light Output & Equivalency Chart

HID to LED Replacement		
DELIVERED LUMENS	HID	LED Replacement
1300lm	50W	10W
2600lm	70W	20W
3900lm	100W	30W
5200lm	150W	40W
7800lm	175W	60W
11700lm	250W	80W
15600lm	400W	120W
26000lm	750W	200W
31200lm	1000W	240W

Interested in upgrading from HID to LED lighting? Use the conversion table above to get a general idea of what wattage LED fixture will replace your current lighting system. Lumen output and overall performance will vary by fixture, so please contact our factory or your nearest sales rep regarding specific questions on what wattage will best suit your desired space and application.

### Pole Mount Drilling Pattern



### Options & Accessories

Wire Guard	Glare Shield	Wall Mount Bracket	Polycarbonate Lens Guard	6" Mounting Arm
				
				
Heavy Duty Adjustable Arm	Yoke Mount	External Mount Slip Fitter	Large Yoke Mount	Safety Cable

## Smart Dim Options

Please Note: The Smart Dim option requires a control device, such as a photocell or other centralized system, in order for the unit to function properly.

### Maximize energy-savings with the Dynadimmer 0-10V luminaire-based control for outdoor applications

Dynadimmer 0-10V is a lamp control device that enables high energy savings with low installation efforts. The small, stand-alone, luminaire-based device can drive a 1-10V electronic ballast to facilitate on-demand light levels and does not require an additional switching wire. The Dynadimmer 0-10V dimming schedule is flexible with up to five dimming levels and five time periods. Easy-to-operate software and programming equipment enable end users to re-program dim times and levels when and as they wish. Offering energy-efficiency and flexibility, the Dynadimmer 0-10V control is ideal for residential, roadway, parking, and industrial applications.

### VIEW FULL SENSOR SPEC SHEET BELOW:

[http://www.getdeco.com/wp-content/themes/deco-digital/pdf/PA-7320-B-Dynadimmer\\_v2\\_web.pdf](http://www.getdeco.com/wp-content/themes/deco-digital/pdf/PA-7320-B-Dynadimmer_v2_web.pdf)



### The Dynadimmer 0-10V solution offers:

- Reduced energy usage through dimming
- Reduced light nuisance
- Very small size; fits inside almost any luminaire
- Easy-to-use software provides a forecast of energy savings