



DECO® | LIGHTING

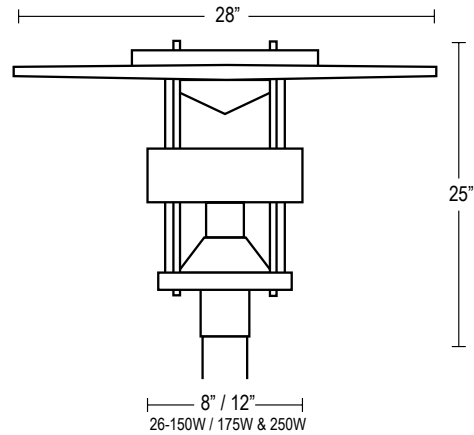
D814-LED

Contemporary Outdoor Luminaire



Job Information

Type:	
Catalog #:	
Project:	
Comments:	
Prepared by:	



Description

The D814 Contemporary Outdoor Luminaire provides glare free and symmetrical illumination. The design of the top shade ensures the majority of the light is directed downward. The anti-glare ring shields the lamp from direct view. Standard finish is dark bronze, but other architectural colors are available. Ideal for streets, parking lots, and surrounding areas.

Ordering Information

Example: (D814-LED-60-30-UNV-PT-BZ-PC)

D814-LED

Series	Wattage/Lumen	Color Temp.	Voltage	Mounting	Finish	Option
Contemporary Outdoor Luminaire	20 20W/2184 ³	30 3000K	UNV 120-277V 347 347V 480 480V (Step-Down Transformer used for 480V Divider)	PT Post Top 2 3/8" Tenon PT3 Post Top 3" Tenon OT Other Tenon MT ⁶	BZ Bronze ¹ BL Black WH White CU Custom ²	PC Photocell ⁵ WSF Wired Single Fuse ⁵ WDF Wired Double Fuse ⁵
	30 30W/3276 ³	35 3500K				
	40 40W/4368 ³	40 4000K				
	60 60W/6552 ³	50 5000K ⁴				

¹Standard for fixture
²Contact factory for custom finish
³Delivered Lumens (5000K)
⁴Standard Color Temp.
⁵Specify Voltage (eg. 120V)
⁶Specify size or consult factory

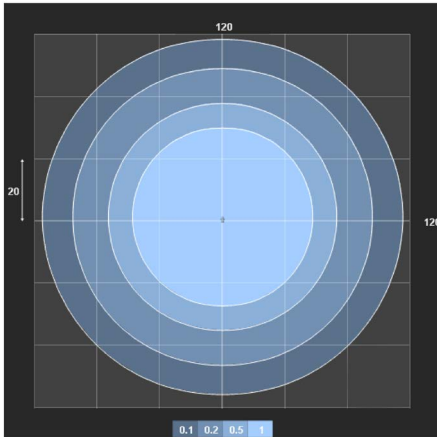
Deco Lighting practices a program of continuous product development, and as a result product specifications change frequently. We reserve the right to change product specifications without notice. Contact Deco for the latest product information.

©2016 Deco Lighting, www.getdeco.com T: (800) 613-DECO F: (310) 366-6855
 Rev Date: 9/2/16 #1

Features

- Housing is 1/8" thick spun aluminum hood with (4) 1" O.D. extruded aluminum supports and cast aluminum pole fitter.
- Spun aluminum white painted reflector.
- Injection molded polycarbonate cylinder lens.
- Complies with IP65 rating.

Photometric Data



Calculation Area:	120'x120'
Point Spacing:	12'x12'
Max Luminance:	7.9 fc
Area > 0.5fc:	4194 ft²

Performance Data

CRI:	80+		
CCT:	3000K, 3500K, 4000K, 5000K		
Warranty:	10 yr. Limited Warranty		
Dimming:	Available with 0-10V inputs dimming down to 10%		
Operating Temperature:	0°-60°C Max Ambient		
L70 Rating:	100,000+ Hours		
EPA:	2		
IP Rating:	IP65		
Driver Current:	700mA		
Sound Rating:	Class A (inaudible in a 24dB ambient environment)		
BUG Ratings:	B2	U1	G1

Delivered Light Output & Equivalency Chart

HID to LED Replacement		
DELIVERED LUMENS	HID	LED Replacement
1300lm	50W	10W
2600lm	70W	20W
3900lm	100W	30W
5200lm	150W	40W
7800lm	175W	60W
11700lm	250W	80W
15600lm	400W	120W
26000lm	750W	200W
31200lm	1000W	240W

Interested in upgrading from HID to LED lighting? Use the conversion table above to get a general idea of what wattage LED fixture will replace your current lighting system. Lumen output and overall performance will vary by fixture, so please contact our factory or your nearest sales rep regarding specific questions on what wattage will best suit your desired space and application.