



DECO | LIGHTING

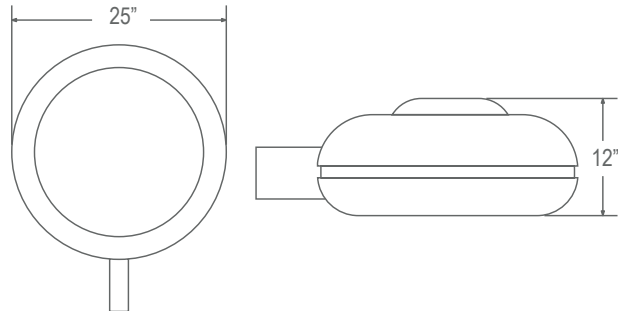
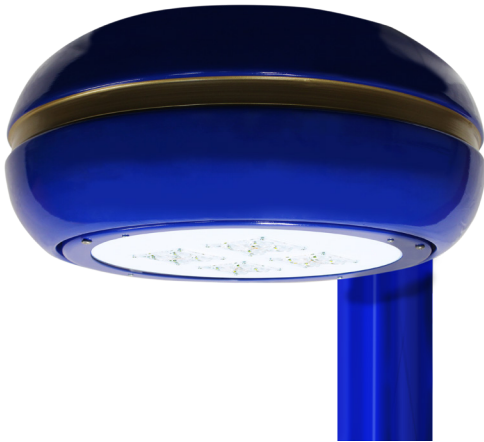
# D812-LED

## Rotondo II Outdoor Luminaire



### Job Information

Type:	
Catalog #:	
Project:	
Comments:	
Prepared by:	



### Description

The Rotondo II features the most advanced lighting reflector system available today. Vertical lamp, IES full cutoff luminaire is Dark Sky certified to restrict light trespass, glare and light pollution for neighborhood-friendly outdoor lighting. The unique rounded, "orbital" style housing features a decorative reveal in an optional contrasting color. Durable polyester powder coat finish is available in a wide array of architectural colors to enhance the design application.

### Ordering Information

Example: (D812-LED-60-30-UNV-T5-YM-BZ-WDF)



Series	Wattage/Lumen	Color Temp.	Voltage	Optics	Mounting	Finish	Stripe	Option										
Rotondo II Outdoor Luminaire	20	20W/2184 <sup>3</sup>	30	3000K	UNV	120-277V	T2	Type 2	PM	Pole Mount	DB	Dark	BM	Blue	SM	Smart Dim*		
	30	30W/3276 <sup>3</sup>	35	3500K		347	347V	T3				Type 3		BK		Bronze <sup>1</sup>	PC	PhotoCell <sup>5</sup>
	40	40W/4368 <sup>3</sup>	40	4000K		480	480V	T5				Type 5 <sup>1</sup>		RO		Red	WSF	Wired Single Fuse <sup>5</sup>
	60	60W/6552 <sup>3</sup>	50	5000K <sup>4</sup>		(Step-Down Transformer used for 480V Divider)		RPM				Round Pole Mount		WH		White	WDF	Wired Double Fuse <sup>5</sup>
	80	80W/8736 <sup>3</sup>						CU				Custom <sup>2</sup>		WO		White Opaque	HS	House Side Light Shield
	100	100W/10920 <sup>3,6</sup>														SC	Safety Cable	
	120	120W/13104 <sup>3,6</sup>														CWP	Cast Wall Plate	
	140	140W/15288 <sup>3,6</sup>																
	160	160W/17472 <sup>3,6</sup>																
	200	200W/21840 <sup>3,6</sup>																

<sup>1</sup> Standard for fixture  
<sup>2</sup> Contact factory for custom finish  
<sup>3</sup> Delivered Lumens (5000K)  
<sup>4</sup> Standard Color Temp.  
<sup>5</sup> Specify Voltage ( eg. 120V)  
<sup>6</sup> Smart Dim Available

Deco Lighting practices a program of continuous product development, and as a result product specifications change frequently. We reserve the right to change product specifications without notice. Contact Deco for the latest product information.

©2016 Deco Lighting, www.getdeco.com T: (800) 613-DECO F: (310) 366-6855  
 Rev Date: 7/27/16 #1



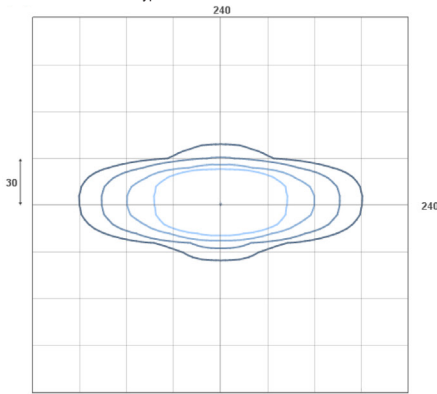
Digitize your light.®

### Features

- All housings are .080 spun aluminum, designed and engineered for a weathertight seal.
- Housings display a decorative reveal to give the luminaires a distinct appearance
- All external hardware is stainless steel.
- Door assembly is precision spun one piece .080 gauge corrosion resistant aluminum with captive stainless steel fasteners.

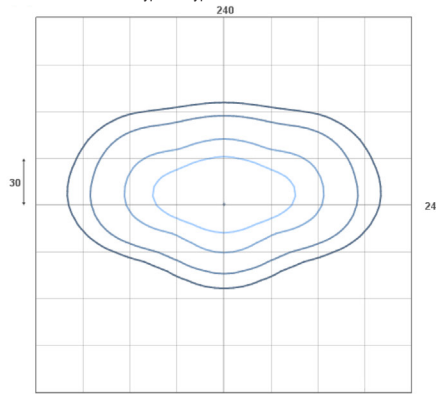
### Photometric Data

D812-LED 120W Type II



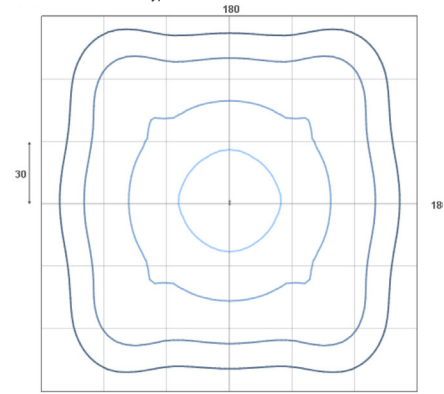
Calculation Area:	240'x240'
Point Spacing:	24'x24'
Max Luminance:	5.2 fc
Area > 0.5fc:	4536 ft²

D812-LED 120W Type III/ Type IV



Calculation Area:	240'x240'
Point Spacing:	24'x24'
Max Luminance:	2.9 fc
Area > 0.5fc:	6732 ft²

D812-LED 120W Type V



Calculation Area:	180'x180'
Point Spacing:	18'x18'
Max Luminance:	1.9 fc
Area > 0.5fc:	7533 ft²

### Performance Data

CRI:	80+			
CCT:	3000K, 3500K, 4000K, 5000K			
Warranty:	10 yr. Limited Warranty			
Dimming:	Available with 0-10V inputs dimming down to 10%			
Operating Temperature:	0°-60°C Max Ambient			
L70 Rating:	100,000+ Hours			
EPA:	2.2			
IP Rating:	IP65			
Driver Current:	700mA			
Sound Rating:	Class A (inaudible in a 24dB ambient environment)			
BUG Rating:	Type 2	B3	U2	G2
	Type 3	B3	U2	G3
	Type 5	B4	U1	G2

### Delivered Light Output & Equivalency Chart

HID to LED Replacement		
DELIVERED LUMENS	HID	LED Replacement
1300lm	50W	10W
2600lm	70W	20W
3900lm	100W	30W
5200lm	150W	40W
7800lm	175W	60W
11700lm	250W	80W
15600lm	400W	120W
26000lm	750W	200W
31200lm	1000W	240W

Interested in upgrading from HID to LED lighting? Use the conversion table above to get a general idea of what wattage LED fixture will replace your current lighting system. Lumen output and overall performance will vary by fixture, so please contact our factory or your nearest sales rep regarding specific questions on what wattage will best suit your desired space and application.

### Smart Dim Options

Please Note: The Smart Dim option requires a control device, such as a photocell or other centralized system, in order for the unit to function properly.

#### Maximize energy-savings with the Dynadimmer 0-10V luminaire-based control for outdoor applications

Dynadimmer 0-10V is a lamp control device that enables high energy savings with low installation efforts. The small, stand-alone, luminaire-based device can drive a 1-10V electronic ballast to facilitate on-demand light levels and does not require an additional switching wire. The Dynadimmer 0-10V dimming schedule is flexible with up to five dimming levels and five time periods. Easy-to-operate software and programming equipment enable end users to re-program dim times and levels when and as they wish. Offering energy-efficiency and flexibility, the Dynadimmer 0-10V control is ideal for residential, roadway, parking, and industrial applications.

#### VIEW FULL SENSOR SPEC SHEET BELOW:

[http://www.getdeco.com/wp-content/themes/deco-digital/pdf/PA-7320-B-Dynadimmer\\_v2\\_web.pdf](http://www.getdeco.com/wp-content/themes/deco-digital/pdf/PA-7320-B-Dynadimmer_v2_web.pdf)



#### The Dynadimmer 0-10V solution offers:

- Reduced energy usage through dimming
- Reduced light nuisance
- Very small size; fits inside almost any luminaire
- Easy-to-use software provides a forecast of energy savings

### Drilling Pattern

