



DECO® | LIGHTING

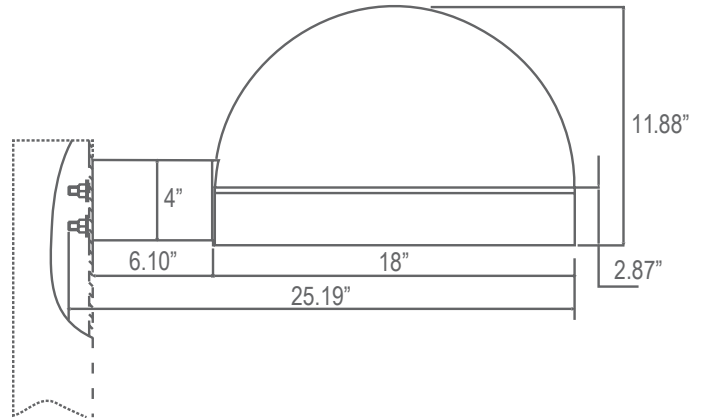
# D801-LED

## Sphere Top Luminaire



### Job Information

Type:	
Catalog #:	
Project:	
Comments:	
Prepared by:	



### Description

The Sphere Top luminaire sets the standard in flexibility for architectural area lighting. Dome shaped, rugged, heavy-gauge, spun aluminum housing, and fully gasketed for weathertight integrity. Standard finish is dark bronze, but other architectural colors are available. The Sphere Top luminaire offers unparalleled variety in one family of fixtures. Ideal for streets, parking lots, and surrounding areas. U.L. listed and CSA certified for wet locations

### Ordering Information

Example: (D801-LED-60-30-UNV-T5-YM-BZ-WDF)



Series	Wattage/Lumen	Color Temp.	Voltage	Optics	Mounting	Finish	Option								
Sphere Top Luminaire	20	20W/2190 <sup>3</sup>	30	3000K	UNV	120-277V	T2	Type 2	PM	Pole Mount	BZ	Bronze <sup>1</sup>	SM	Smart Dim*	
	30	30W/3280 <sup>3</sup>	35	3500K	347	347V	T3	Type 3	WM	Wall Mount	BL	Black	PC	Photocell	
	40	40W/4370 <sup>3</sup>	40	4000K	480	480V	T5	Type 5 <sup>1</sup>	RPM	Round Pole Mount	WH	White	WSF	Wired Single Fuse	
	60	60W/6550 <sup>3</sup>	50	5000K <sup>4</sup>	(Step-Down Transformer used for 480V Divider)						CU	Custom <sup>2</sup>	WDF	Wired Double Fuse	
	80	80W/8740 <sup>3</sup>											EZ	Easy Mount Slip Fit	
	100	100W/10920 <sup>3,5</sup>												HA	Hanger Arm
	120	120W/13110 <sup>3,5</sup>												SC	Safety Cable

<sup>1</sup> Standard for fixture  
<sup>2</sup> Contact factory for custom finish  
<sup>3</sup> Delivered Lumens (5000K)  
<sup>4</sup> Standard Color Temp.  
<sup>5</sup> Smart Dim Available

Deco Lighting practices a program of continuous product development, and as a result product specifications change frequently. We reserve the right to change product specifications without notice. Contact Deco for the latest product information.

©2016 Deco Lighting, www.getdeco.com T: (800) 613-DECO F: (310) 366-6855  
 Rev Date: 7/18/16 #1



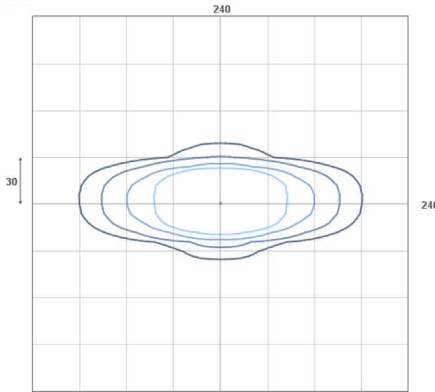
Digitize your light.®

### Features

- Spun-aluminum top is finished in polyester powder coat.
- Premium segmented optical modules.
- Heavy-duty, die-cast aluminum frame is the main load-bearing structure for arm, yoke or spider mountings.
- Die-cast aluminum door frame has concealed hinges and is flush with the bottom of the housing.
- Thermal shock- and impact-resistant clear tempered flat glass.
- UL 1598 listed for wet locations.
- Standard color is bronze; also available in black and white. Contact factory for custom finishes.

### Photometric Data

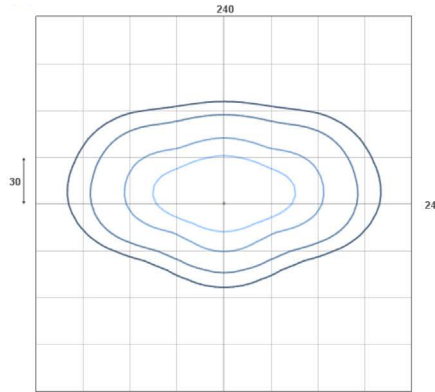
D801-LED 120W Type II



0.1 0.2 0.5 1

Calculation Area:	240'x240'
Point Spacing:	24'x24'
Max Luminance:	5.2 fc
Area > 0.5fc:	4536 ft <sup>2</sup>

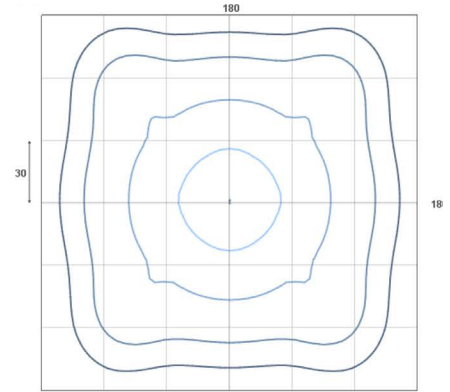
D801-LED 120W Type III



0.1 0.2 0.5 1

Calculation Area:	240'x240'
Point Spacing:	24'x24'
Max Luminance:	2.9 fc
Area > 0.5fc:	6732 ft <sup>2</sup>

D801-LED 120W Type V



0.1 0.2 0.5 1

Calculation Area:	180'x180'
Point Spacing:	18'x18'
Max Luminance:	1.9 fc
Area > 0.5fc:	7533 ft <sup>2</sup>

### Performance Data

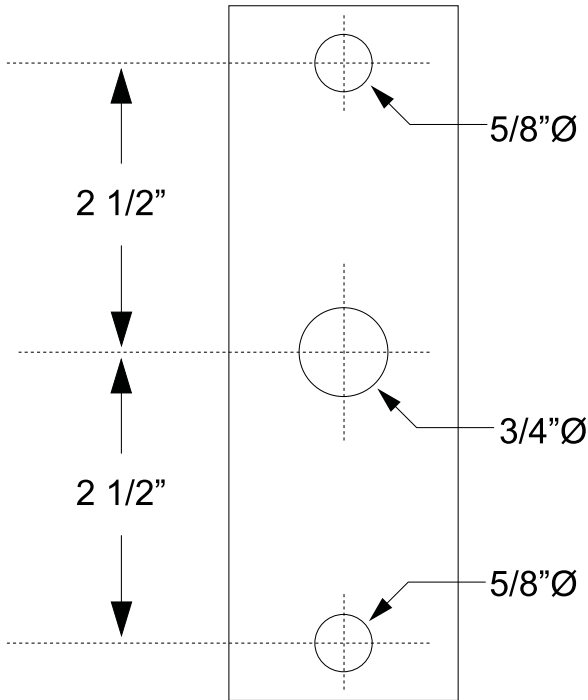
CRI:	80+			
CCT:	3000K, 3500K, 4000K, 5000K			
Warranty:	10 yr. Limited Warranty			
Dimming:	Available with 0-10V inputs dimming down to 10%			
Operating Temperature:	0°-60°C Max Ambient			
L70 Rating:	100,000+ Hours			
EPA:	2			
IP Rating:	IP65			
Driver Current:	700mA			
Sound Rating:	Class A (inaudible in a 24dB ambient environment)			
BUG Rating:	Type 2	B3	U2	G2
	Type 3	B3	U2	G3
	Type 5	B4	U1	G2

### Delivered Light Output & Equivalency Chart

HID to LED Replacement		
DELIVERED LUMENS	HID	LED Replacement
1300lm	50W	10W
2600lm	70W	20W
3900lm	100W	30W
5200lm	150W	40W
7800lm	175W	60W
11700lm	250W	80W
15600lm	400W	120W
26000lm	750W	200W
31200lm	1000W	240W

Interested in upgrading from HID to LED lighting? Use the conversion table above to get a general idea of what wattage LED fixture will replace your current lighting system. Lumen output and overall performance will vary by fixture, so please contact our factory or your nearest sales rep regarding specific questions on what wattage will best suit your desired space and application.

### Drilling Pattern



### Smart Dim Option

Please Note: The Smart Dim option requires a control device, such as a photocell or other centralized system, in order for the unit to function properly.

#### Maximize energy-savings with the Dynadimmer 0-10V luminaire-based control for outdoor applications

Dynadimmer 0-10V is a lamp control device that enables high energy savings with low installation efforts. The small, stand-alone, luminaire-based device can drive a 1-10V electronic ballast to facilitate on-demand light levels and does not require an additional switching wire. The Dynadimmer 0-10V dimming schedule is flexible with up to five dimming levels and five time periods. Easy-to-operate software and programming equipment enable end users to re-program dim times and levels when and as they wish. Offering energy-efficiency and flexibility, the Dynadimmer 0-10V control is ideal for residential, roadway, parking, and industrial applications.

#### VIEW FULL SENSOR SPEC SHEET BELOW:

[http://www.getdeco.com/wp-content/themes/deco-digital/pdf/PA-7320-B-Dynadimmer\\_v2\\_web.pdf](http://www.getdeco.com/wp-content/themes/deco-digital/pdf/PA-7320-B-Dynadimmer_v2_web.pdf)



#### The Dynadimmer 0-10V solution offers:

- Reduced energy usage through dimming
- Reduced light nuisance
- Very small size; fits inside almost any luminaire
- Easy-to-use software provides a forecast of energy savings