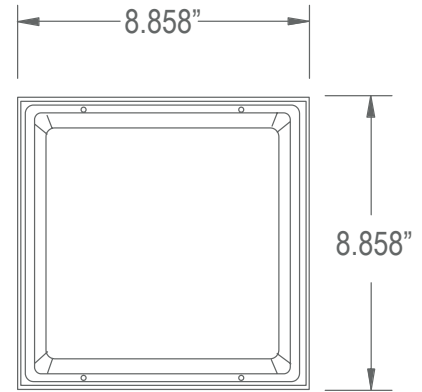
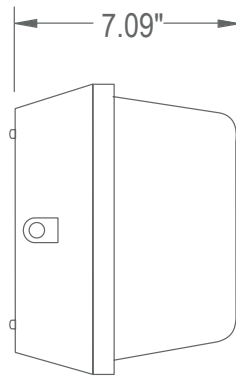




DECO | LIGHTING

D530-LED

8" x 8" Square Luminaire



Job Information

| | |
|--------------|--|
| Type: | |
| Catalog #: | |
| Project: | |
| Comments: | |
| Prepared by: | |

Description

The D530-LED provides symmetrical light distribution in wattages up to 150W MH as an unbreakable replacement answer to commercial fixtures which might succumb to vandalism and abuse.

Features

- Heavy duty die-cast finished in dark bronze.
- One piece silicone gasket seals perimeter to prevent moisture and contaminants from entering the luminaire.
- Lens is clear prismatic polycarbonate and UV stabilized.
- UL 1598 listed for damp locations when wall mounted or in covered ceiling applications.
- Four 1/2 coin plugs in each quadrant for easy conduit access.
- Approx. Weight: 12 lbs.
- Standard color is bronze; also available in black and white. Contact factory for custom finishes.

Ordering Information

Example: (D530-LED-30-50-UNV-BZ-WSF)

| | | | | | |
|----------|--|--|--|--|--|
| D530-LED | | | | | |
|----------|--|--|--|--|--|

| Series | Wattage/Lumen | Color Temp. | Voltage | Finish | Options |
|-----------------------|--------------------------|-----------------------|---|------------------------------------|--|
| 8"8" Square Luminaire | 10 10W/1270 ² | 40 4000K | UNV 120-277V 347 347V 480 480V (Step-Down Transformer used for 480V Divider) | BZ Bronze ¹ | WSF Wired Single Fuse ⁴ WDF Wired Double Fuse ⁴ |
| | 20 20W/2540 ² | 50 5000K ¹ | | BL Black | |
| | 30 30W/3810 ² | | | WH White CU Custom ³ | |

¹ Standard for this fixture
² Initial Delivered Lumens
³ Contact factory for custom finish
⁴ Please specify voltage (eg. 120V)

Deco Lighting practices a program of continuous product development, and as a result product specifications change frequently. We reserve the right to change product specifications without notice. Contact Deco for the latest product information.

©2016 Deco Lighting, www.getdeco.com T: (800) 613-DECO F: (310) 366-6855
Rev Date: 7/21/16 #1