

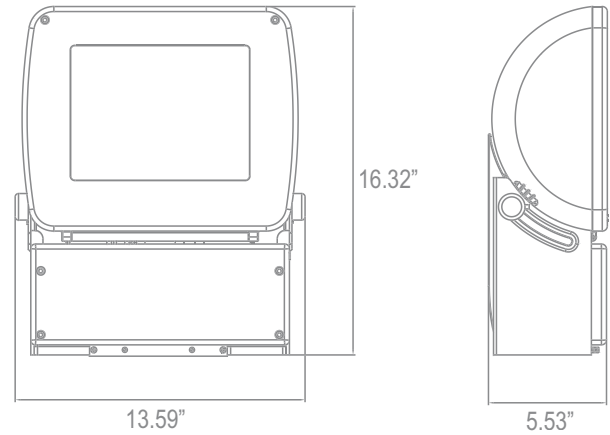
D455-LED

Large Flex Pak Wall Mount



Job Information

Type:	
Catalog #:	
Project:	
Comments:	
Prepared by:	



Description

Deco's new FlexPak is the ultimate in exterior lighting versatility. It is the perfect blend of performance, flexibility and architectural design. The Flex Pak is three fixtures in one. It's a high performance cutoff luminaire for perimeter and site lighting. When rotated 30° it serves as a semi-cutoff luminaire offering forward throw-the possibilities are endless.

Ordering Information

Example: (D455-LED-60-30-UNV-PM-T2-BZ-WDF)

D455-LED														
Series	Wattage/Lumen		Color Temp.		Voltage		Optics		Mounting		Finish		Option	
Large FlexPak	120	120W/14420 ³	30	3000K	UNV	120-277V	T2	Type 2	PM	Pole Mount	BZ	Bronze ¹	DM	Dimmable (0-10V)
	150	150W/18020 ^{3,5}	35	3500K	347	347V	T3	Type 3	WM	Wall Mount	BL	Black	WG	Wire Guard
			40	4000K	480	480V	T5	Type 5 ¹			WH	White	PC	Photocell
			50	5000K ⁴		(Step-Down Transformer used for 480V Divider)					CU	Custom ²	WSF	Wired Single Fuse
													WDF	Wired Double Fuse
													PIR	Passive Infrared Sensor
													EMB	Integrated Emergency Backup

¹ Standard for fixture
² Contact factory for custom finish
³ Delivered Lumens
⁴ Standard Color Temp.
⁵ With Optics

Deco Lighting practices a program of continuous product development, and as a result product specifications change frequently. We reserve the right to change product specifications without notice. Contact Deco for the latest product information.

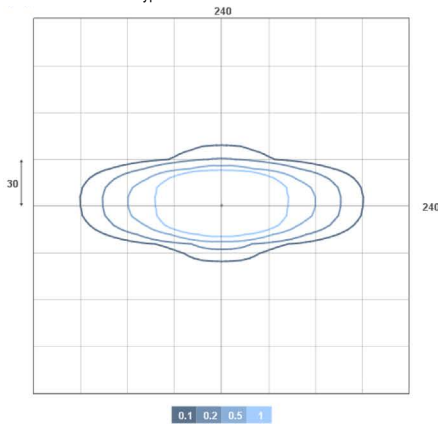
©2016 Deco Lighting, www.getdeco.com T: (800) 613-DECO F: (310) 366-6855
 Rev Date: 7/26/16 #1

Features

- The FlexPak can be surface mounted in various positions. Use it as a cutoff wallpack or tip it up 30° for forward throw with semi-cut-off. Tip it up 30° for floodlighting, or turn it over and use it for indirect/accent lighting.
- Precision die-cast aluminum construction.
- All exposed hardwire is stainless steel.
- Hinged door frame with clear tempered glass lens.
- Multi-faceted reflection system provides uniform distribution.
- Wet location listed for above or below horizontal aiming.
- Complete with a CSA approved mounting box rated for 90° supply wire with integral bubble level.
- Meets IESNA Full cut-off requirements.
- Standard color is bronze; also available in black and white. Contact factory for custom finishes.

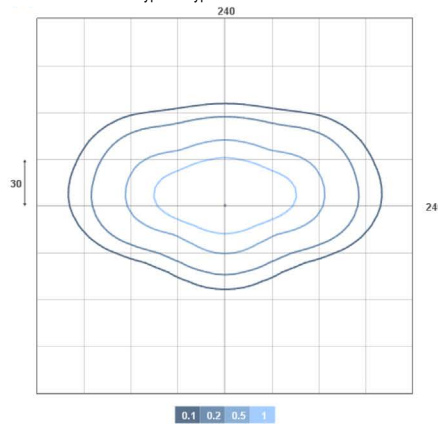
Photometric Data

D455-LED 120W Type II



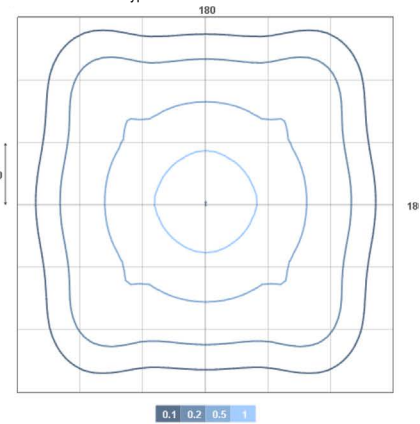
Calculation Area:	240'x240'
Point Spacing:	24'x24'
Luminance:	5.2 fc
Area > 0.5fc:	4536 ft²

D455-LED 120W Type III/ Type IV



Calculation Area:	240'x240'
Point Spacing:	24'x24'
Luminance:	2.9 fc
Area > 0.5fc:	6732 ft²

D455-LED 120W Type V



Calculation Area:	180'x180'
Point Spacing:	18'x18'
Luminance:	1.9 fc
Area > 0.5fc:	7533 ft²

Performance Data

CRI:	80+			
CCT:	3000K, 3500K, 4000K, 5000K			
Warranty:	10 yr. Limited Warranty			
Dimming:	Available with 0-10V inputs dimming down to 10%			
Operating Temperature:	-30° - 65°C Max Ambient			
L70 Rating:	100,000+ Hours			
EPA:	1.03			
IP Rating:	IP65			
Driver Current:	700mA			
Sound Rating:	Class A (inaudible in a 24dB ambient environment)			
BUG Rating:	Type II	B3	U2	G2
	Type III / Type IV	B3	U2	G3
	Type V	B4	U1	G2

Delivered Light Output & Equivalency Chart

HID to LED Replacement		
DELIVERED LUMENS	HID	LED Replacement
1300lm	50W	10W
2600lm	70W	20W
3900lm	100W	30W
5200lm	150W	40W
7800lm	175W	60W
11700lm	250W	80W
15600lm	400W	120W
26000lm	750W	200W
31200lm	1000W	240W

Interested in upgrading from HID to LED lighting? Use the conversion table below to get a general idea of what wattage LED fixture will replace your current lighting system. Lumen output and overall performance will vary by fixture, so please contact our factory or your nearest sales rep regarding specific questions on what wattage will best suit your desired space and application.