



DECO® | LIGHTING

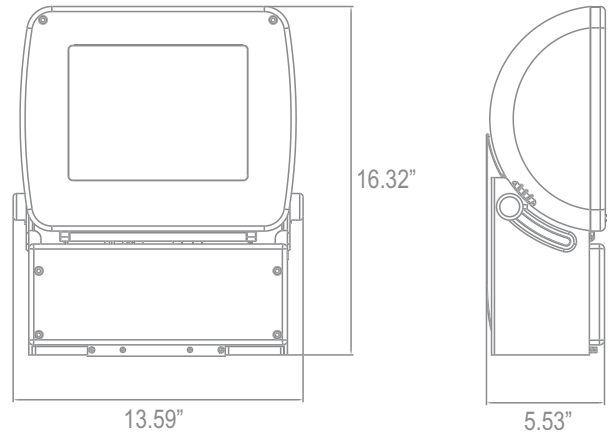
D454-LED

Medium Flex Pak Wall Mount



Job Information

Type:	
Catalog #:	
Project:	
Comments:	
Prepared by:	



Description

Deco's new FlexPak is the ultimate in exterior lighting versatility. It is the perfect blend of performance, flexibility and architectural design. The Flex Pak is three fixtures in one. It's a high performance cutoff luminaire for perimeter and site lighting. When rotated 30° it serves as a semi-cutoff luminaire offering forward throw-the possibilities are endless. Includes receptacle and shorting cap (standard).

Ordering Information

Example: (D454-LED-60-50-UNV-WB-BZ-PC)

D454-LED

Series	Wattage/Lumen	Color Temp.	Voltage	Optics	Mounting	Finish	Option							
Medium FlexPak	20	20W/2560 ^{3,5}	30	3000K	UNV	120-277V	T2	Type 2	PM	Pole Mount	BZ	Bronze ¹	DM	Dimmable (0-10V)
	30	30W/3840 ^{3,5}	35	3500K	347	347V	T3	Type 3	WM	Wall Mount	BL	Black	WG	Wire Guard
	40	40W/5120 ^{3,5}	40	4000K	480	480V	T5	Type 5 ¹			WH	White	PC	Photocell
	60	60W/7680 ^{3,5}	50	5000K ⁴		(Step-Down Transformer used for 480V Divider)					CU	Custom ²	WSF	Wired Single Fuse
	80	80W/10240 ³											WDF	Wired Double Fuse
													PIR	Passive Infrared Sensor
													EMB	Integrated Emergency Backup

¹Standard for fixture

²Contact factory for custom finish

³Delivered Lumens (5000K)

⁴Standard Color Temp.

⁵DLC Listed

Deco Lighting practices a program of continuous product development, and as a result product specifications change frequently. We reserve the right to change product specifications without notice. Contact Deco for the latest product information.

©2016 Deco Lighting, www.getdeco.com T: (800) 613-DECO F: (310) 366-6855
Rev Date: 10/26/16 #2

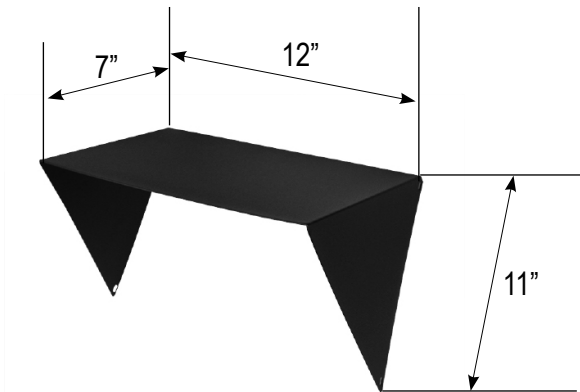
Features

- The FlexPak can be surface mounted in various positions. Use it as a cutoff wallpack or tip it up 30° for forward throw with semi-cut-off. Tip it up 30° for floodlighting, or turn it over and use it for indirect/accent lighting.
- Precision die-cast aluminum construction.
- All exposed hardwire is stainless steel.
- Hinged door frame with clear tempered glass lens.
- Mult-faceted reflection system provides uniform distribution.
- Driver is fully accessible from below the ceiling or wall. Driver is wired for dimming or non-dimming.
- Meets IESNA Full cut-off requirements when ordered with Full Cut-off Visor
- CSA listed for wet locations.
- Type VS IES Distribution.

Performance Data

CRI:	82
CCT:	5000K
Warranty:	10 yr. Limited Warranty
Dimming:	Available with 0-10V inputs dimming down to 10%
Operating Temperature:	-40° to +40°C Max Ambient
L70 Rating:	100,000+ Hours
IP Rating:	IP67
Driver Current:	700mA
Sound Rating:	Class A (inaudible in a 24dB ambient environment)

Options



Full Cut-off Visor