



DECO® | LIGHTING

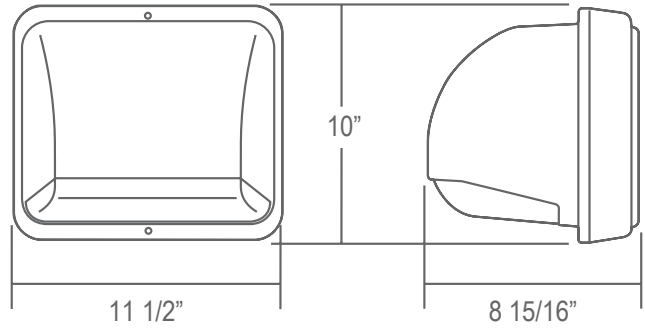
D445-LED

Mini Full Cutoff Wall Pack



Job Information

Type:	
Catalog #:	
Project:	
Comments:	
Prepared by:	



Description

The D445-LED mini full cutoff wallpack features a lens trim that eliminates uplight, making it ideal for installations where size is a concern. This is a full cutoff fixture, with no light being emitted above zero degrees horizontal.

Ordering Information

Example: (D445-LED-30-30-UNV-BZ-WSF)



Series	Wattage/Lumen	Color Temp.	Voltage	Finish	Option			
Mini Full Cutoff Wallpack	20	20W/2030 ¹	UNV	120-277V	BZ Bronze	PC Photocell WSF Wired Single Fuse WDF Wired Double Fuse		
	30	30W/3050 ¹	35	3500K			347	347V
			40	4000K			480	480V
			50	5000K ²			(Step-Down Transformer used for 480V Divider)	

¹ Delivered Lumens(5K)
² Standard Color Temp.



Deco Lighting practices a program of continuous product development, and as a result product specifications change frequently. We reserve the right to change product specifications without notice. Contact Deco for the latest product information.

©2016 Deco Lighting, www.getdeco.com T: (800) 613-DECO F: (310) 366-6855
Rev Date: 1/24/17 #2

Digitize your light.®

Features

- Rear housing is rugged, die-cast aluminum. Front cover is one-piece, UV-resistant, injection-molded polycarbonate.
- Clear polycarbonate lens for maximum light output.
- Full cutoff fixture emits no light above zero degrees.
- Rear housing has chromate conversion coating.
- Top cover is UV resistant and hinged for easy relamping.
- One piece, die formed reflector.
- High temperature silicone gasket provided to prevent contaminants from entering the fixture.
- All electrical components are mounted to the cast aluminium housing, providing maximum heat dissipation.
- Top 1/2" threaded wiring access, back access through a 3/4" opening.
- CSA listed for Wet Locations
- Dark Sky compliant when ordered at 3000K

Lumen Output

Lumen Chart				
Wattage	5000K	4000K	3500K	3000K
20	2030	1827	1736	1562
30	3050	2745	2608	2347

*Lumen outputs are based on the 5000K lumen rating and then scaled down 10% to 4000K, 5% to 3500K, and a further 10% to 3000K

Performance Data

CRI:	80+
CCT:	3000K, 3500K, 4000K, 5000K
Warranty:	10 yr. Limited Warranty
Dimming:	Available with 0-10V inputs dimming down to 10%
Operating Temperature:	-30° to 55°C Max Ambient
L70 Rating:	100,000+ Hours
IP Rating:	IP65
Driver Current:	350mA (w/o Optics) 700mA (w/Optics)
Sound Rating:	Class A (inaudible in a 24dB ambient environment)
Power Factor:	>0.95
Total Harmonic Distortion:	<20%