



DECO® | LIGHTING

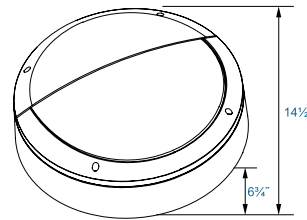
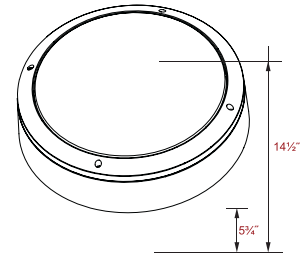
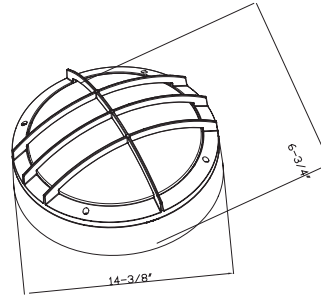
D421-LED

14" Decorative Round Luminaire



Job Information

Type:	
Catalog #:	
Project:	
Comments:	
Prepared by:	



Description

The 14" round decorative luminaire is designed for durability and performance to withstand today's toughest environments, including schools, parking garages, office complexes and any other application prone to vandalism.

Features

- 14" diameter die cast surface mount housing.
- An extruded lens and foam backplate gasket are factory installed to cushion against shock. This also provides a seal against moisture, dirt and insects from entering the luminaire.
- Housing finish is textured polyester powder coating.
- Guards and housing are available in four finishes: White, Bronze, Black.
- The deep casting is provided with 4 .5" threaded conduit coin plugs.
- LumaLens Polycarbonate Opal Lens.
- Available in clear or frosted white, both with radial prisms to provide superior illumination.
- UL 1598 listed for wet locations.
- Standard color is bronze; also available in black and white. Contact factory for custom finishes.

Ordering Information

Example: (D421-LED-20-50-UNV-C-BZ-WSF)

D421-LED

Series	Wattage/Lumen	Color Temp.	Voltage	Guard	Finish	Option
14" Decorative Round Luminaire	20	20W/2030 ³	UNV 120-277V 347 347V 480 480V (Step-Down Transformer used for 480V Divider)	O	BZ	WSF Wired Single Fuse WDF Wired Double Fuse
	30	30W/3040 ³		C	BL	
	40	40W/4050 ³		E	WH	
		41 4100K 50 5000K ^{4,5}			SL Silver CU Custom ²	

¹ Standard for fixture

² Contact factory for custom finish

³ Delivered Lumens (5000K)

⁴ Standard Color Temp.

Deco Lighting practices a program of continuous product development, and as a result product specifications change frequently. We reserve the right to change product specifications without notice. Contact Deco for the latest product information.

©2016 Deco Lighting, www.getdeco.com T: (800) 613-DECO F: (310) 366-6855
Rev Date: 7/21/16 #1



Digitize your light.®