



DECO® | LIGHTING

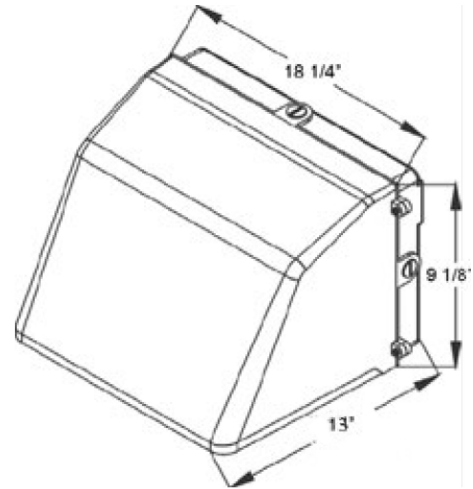
# D420-LED

## Large Trapezoidal Cutoff Wall



### Job Information

Type:	
Catalog #:	
Project:	
Comments:	
Prepared by:	



### Description

The D420-LED large full cutoff wall pack offers a sleek design and cutoff performance with a wide range of uses. It delivers the lighting needed for the exteriors of retail buildings, businesses, walkways, underpasses or entrance doors.

### Ordering Information

Example: (D420-LED-120-40-UNV-T5-BZ-WSF)



Series	Wattage/Lumen	Color Temp.	Voltage	Optics	Finish	Option						
Large Trapezoidal Cutoff Wall Pack	30	30W/3750 <sup>3</sup>	30	3000K	UNV	120-277V	T2	Type 2	BZ	Bronze <sup>1</sup>	PC	Photocell
	60	60W/7260 <sup>3</sup>	35	3500K	347	347V <sup>5</sup>	T3	Type 3	BL	Black	WSF	Wired Single Fuse
	90	90W/10520 <sup>3</sup>	40	4000K	480	480V <sup>5</sup>	T4	Type 4	WH	White	WDF	Wired Double Fuse
	120	120W/13850 <sup>3</sup>	50	5000K <sup>4</sup>			T5	Type 5	CU	Custom <sup>2</sup>	EM	Emergency
	160	160W/18080 <sup>3</sup>										
	180	180W/20140 <sup>3</sup>										

<sup>1</sup> Standard for fixture  
<sup>2</sup> Contact factory for custom finish  
<sup>3</sup> Delivered Lumens (5000K)  
<sup>4</sup> Standard Color Temp.  
<sup>5</sup> Step-down transformer used for 347V and 480V options

Deco Lighting practices a program of continuous product development, and as a result product specifications change frequently. We reserve the right to change product specifications without notice. Contact Deco for the latest product information.

©2016 Deco Lighting, www.getdeco.com T: (800) 613-DECO F: (310) 366-6855  
Rev Date: 1/24/17 #2



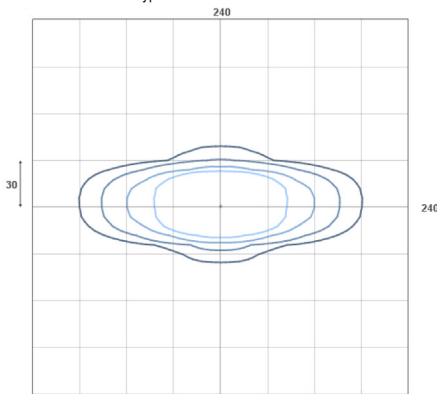
Digitize your light.®

### Features

- Heavy duty two piece, die cast aluminum housing.
- Aluminum reflector.
- Silicone gasketing provides protection against moisture.
- Mounts directly to 3.5" octagon, or 4" square outlet box.
- .5" NPS tapped holes provided in three locations for surface conduit entry for optional photo control.
- Dark bronze powder coated finish for impact, corrosion and UV resistance.
- Integral cast-in aluminum hinges.
- Clear tempered glass lens is thermal and shock resistant.
- CSA listed for wet locations.
- Can be used as an uplight for wall washing applications.

### Photometric Data

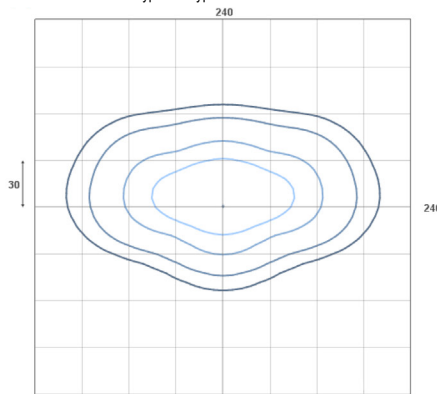
D420-LED 120W Type II



0.1 0.2 0.5 1

Calculation Area:	240'x240'
Point Spacing:	24'x24'
Max Luminance:	5.2 fc
Area > 0.5fc:	4536 ft <sup>2</sup>

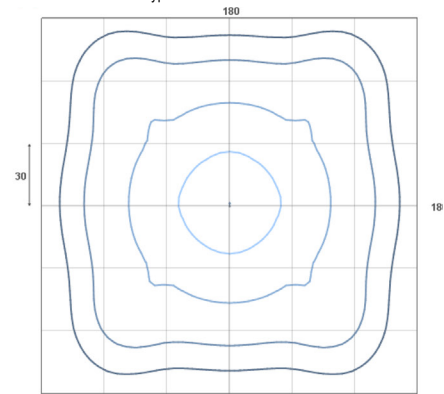
D420-LED 120W Type III / Type IV



0.1 0.2 0.5 1

Calculation Area:	240'x240'
Point Spacing:	24'x24'
Max Luminance:	2.9 fc
Area > 0.5fc:	6732 ft <sup>2</sup>

D420-LED 120W Type V



0.1 0.2 0.5 1

Calculation Area:	180'x180'
Point Spacing:	18'x18'
Max Luminance:	1.9 fc
Area > 0.5fc:	7533 ft <sup>2</sup>

### Performance Data

CRI:	80+			
CCT:	3000K, 3500K, 4000K, 5000K			
Warranty:	10 yr. Limited Warranty			
Dimming:	Available with 0-10V inputs dimming down to 10%			
Operating Temperature:	0°-65°C Max Ambient			
L70 Rating:	100,000+ Hours			
IP Rating:	IP65			
Driver Current:	350mA			
Sound Rating:	Class A (inaudible in a 24dB ambient environment)			
BUG Rating:	Type 2	B3	U2	G2
	Type 3 / Type 4	B3	U2	G3
	Type 5	B4	U1	G2

### Delivered Light Output & Equivalency Chart

HID to LED Replacement		
DELIVERED LUMENS	HID	LED Replacement
2540 lm	100W	20W
3810 lm	150W	30W
5080 lm	175W	40W
7620 lm	250W	60W
15240 lm	400W	120W
25400 lm	750W	200W

\*For mounting heights over 25ft consult factory.