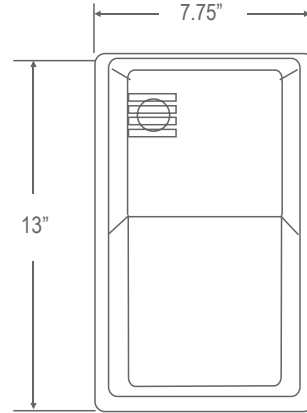
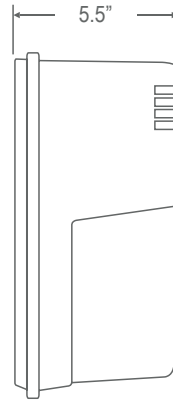




DECO® | LIGHTING

D405-LED

Glass Wall Pack



Job Information

Type:	
Catalog #:	
Project:	
Comments:	
Prepared by:	

Description

The D405-LED glass wall pack's compact design is ideal for office buildings, homes, townhouses, storage buildings, and restaurants.

Features

- Optional photo control button.
- Rugged die cast aluminium back housing.
- Clear prismatic borosilicate glass refractor is thermal and shock resistant.
- Mounts directly to 3.5" octagon or 4" square outlet box.
- Silicone gasketed for extra protection against moisture.
- Dark bronze polyester powder coated finish for impact, corrosion and UV resistance.
- CSA Listed for wet locations. IP54.
- Back plate is die cast aluminium.
- Great for desert/hot climate areas.
- Borosilicate glass will not yellow or fade.
- Approx. Weight: 7 lbs.

Ordering Information

Example: (D405-LED-20-50-UNV-BZ-PC)

D405-LED [] [] [] [] [] []

Series	Wattage/Lumen	Color Temp.	Voltage	Finish	Option
Small Wall Pack	20 20W/1543 ³	50 5000K ^{4,5}	UNV 120-277V	BZ Bronze ¹ WH White BL Black CU Custom ²	PC Photocell

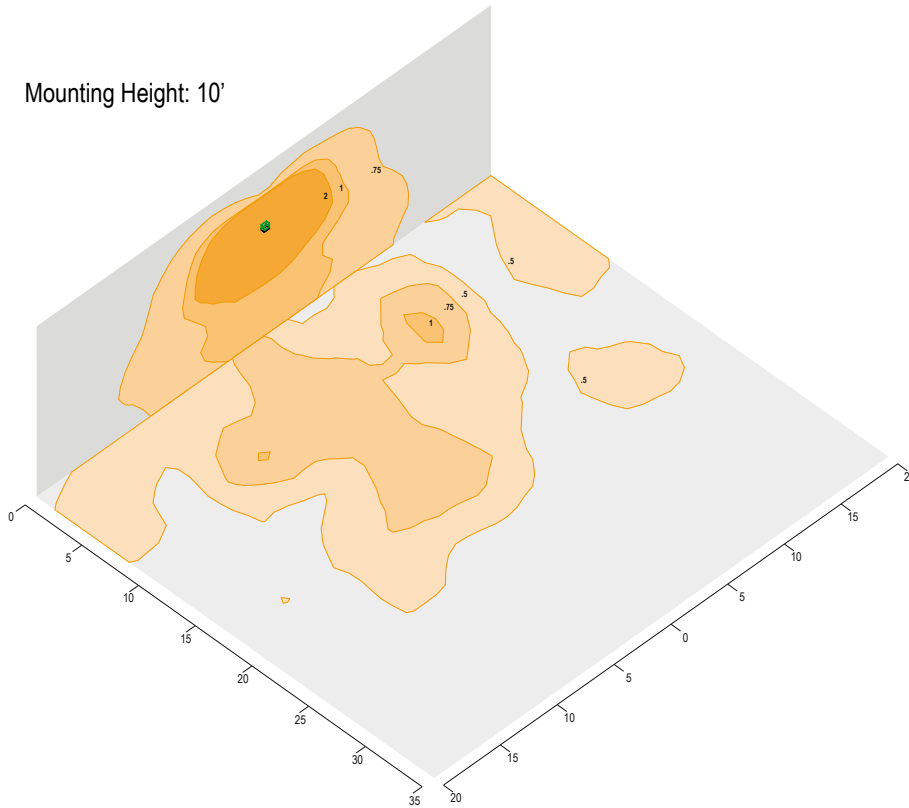
¹ Standard for fixture
² Contact factory for custom finish
³ Delivered Lumens
⁴ Standard Color Temp.
⁵ Please specify voltage (eg. 120V)

Deco Lighting practices a program of continuous product development, and as a result product specifications change frequently. We reserve the right to change product specifications without notice. Contact Deco for the latest product information.

©2016 Deco Lighting, www.getdeco.com T: (800) 613-DECO F: (310) 366-6855
Rev Date: 12/22/16 #2

Photometric Data

Mounting Height: 10'



Performance Data

CRI:	85		
CCT:	5000K		
System Wattage:	22.2 watts		
Warranty:	10 yr. Limited Warranty		
Dimming:	0-10V Dimming Standard		
Operating Temperature:	-40° to +40°C Max Ambient		
L70 Rating:	100,000+ Hours		
IP Rating:	IP54		
Driver Current:	700mA		
BUG Rating:	B0	U3	G3