



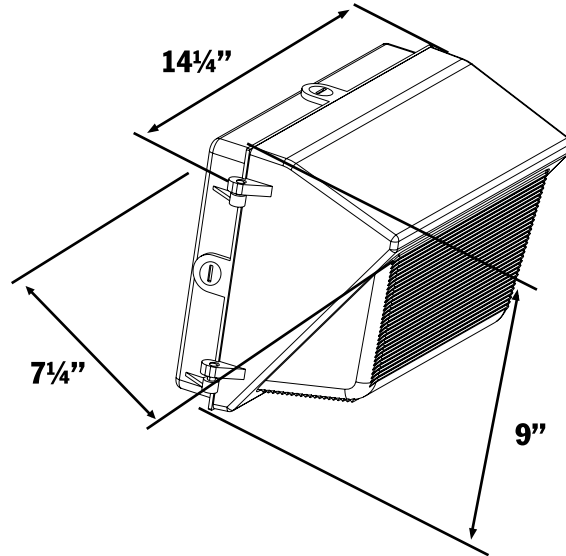
DECO® | LIGHTING

D402-LED

Medium Wall Pack

Job Information

Type:	
Catalog #:	
Project:	
Comments:	
Prepared by:	



Description

The D402-LED medium wall pack provides a durable and efficient exterior light source for any application with maximum performance and minimum maintenance.

Ordering Information

Example: (D402-LED-20-30-UNV-BZ-WDF)

D402-LED

Series	Wattage/Lumen	Color Temp.	Voltage	Finish	Option
Medium Wall Pack	20 20W/2030 ³	30 3000K	UNV 120-277V	BZ Bronze ¹	PC Photocell
	30 30W/3045 ³	35 3500K	347 347V	BL Black	WSF Wired Single Fuse
	40* 40W/4060 ^{3,5}	40 4000K	480 480V	WH White	WDF Wired Double Fuse
	60 60W/6090 ^{3,5}	50 5000K ⁴	(Step-Down Transformer used for 480V Divider)	CU Custom ²	EM Emergency Ballast
					FC Full Cutoff Visor ⁵
					WG Wire Guard
					SC Side Cutoff
					VR Polycarbonate Vandal Resistant Guard

*Select-A-Watt model, factory set at listed wattage when shipped. Please contact factory for information on selectable wattages for this fixture.

¹ Standard for fixture
² Contact factory for custom finish
³ Delivered Lumens (5000K)
⁴ Standard Color Temp.
⁵ DLC Listed

Deco Lighting practices a program of continuous product development, and as a result product specifications change frequently. We reserve the right to change product specifications without notice. Contact Deco for the latest product information.

©2016 Deco Lighting, www.getdeco.com T: (800) 613-DECO F: (310) 366-6855
Rev Date: 7/18/16 #1

Features

- Standard color is bronze; also available in black and white. Contact factory for custom finishes.
- Heavy duty two piece die cast aluminium housing is top hinged for ease of maintenance.
- Two captive stainless steel door fasteners.
- .5" threaded conduit entry with coin plug.
- Clear prismatic borosilicate glass reflector is thermal/shock resistant.
- Computer designed and precision formed specular aluminium reflector.
- Lightweight back plate is easily attached to wall.
- Dark bronze polyester powder finish for excellent impact, corrosion and UV resistance.
- Approx. Weight: 10 lbs.

Performance Data

CRI:	80+
Power Factor:	0.9943
THD:	6.43%
CCT:	3000K, 3500K, 4000K, 5000K
Warranty:	10 yr. Limited Warranty
Dimming:	Available with 0-10V inputs dimming down to 10%
Operating Temperature:	0°-65°C Max Ambient
L70 Rating:	100,000+ Hours
IP Rating:	IP55
Driver Current:	700mA
Sound Rating:	Class A (inaudible in a 24dB ambient environment)

Delivered Light Output & Equivalency Chart

HID to LED Replacement		
DELIVERED LUMENS	HID	LED Replacement
1300lm	50W	10W
2600lm	70W	20W
3900lm	100W	30W
5200lm	150W	40W
7800lm	175W	60W
11700lm	250W	80W
15600lm	400W	120W
26000lm	750W	200W
31200lm	1000W	240W

Interested in upgrading from HID to LED lighting? Use the conversion table below to get a general idea of what wattage LED fixture will replace your current lighting system. Lumen output and overall performance will vary by fixture, so please contact our factory or your nearest sales rep regarding specific questions on what wattage will best suit your desired space and application.

Options

FC-Full Cutoff Visor *Required for DLC & Dark Sky Compliance	SC-Side Cutoff	VR-Polycarbonate Vandal Resistant Guard	WG-Wire Guard
			