



DECO® | LIGHTING

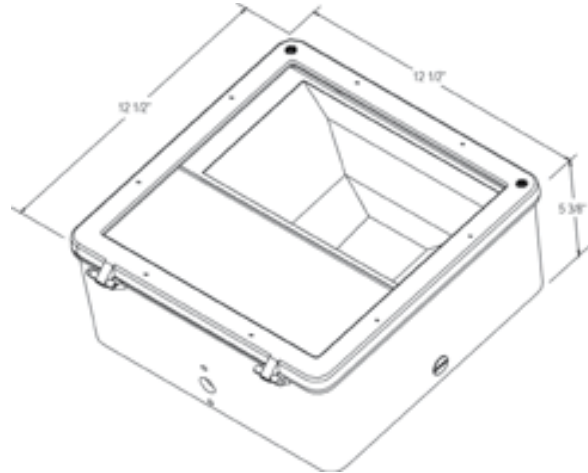
D220-LED

12" Area Light



Job Information

Type:	
Catalog #:	
Project:	
Comments:	
Prepared by:	



Description

The D220-LED micro floodlight gives the precision and maneuverability needed to create an attractive and functional lighting scheme. Use the micro floodlight for building facades, security, signs and displays.

Ordering Information

Example: (D220-LED-60-40-UNV-T5-SF-BZ-PC)



Series	Wattage/Lumen	Color Temp.	Voltage	Optics	Mounting	Finish	Option
12" Area Light	20 20W/2190 ³	30 3000K	UNV 120-277V	T2 Type 2	SF Slip Fitter	BZ Bronze ¹	GS Glare Shield
	30 30W/3270 ³	35 3500K	347 347V	T3 Type 3	PM Pole Mount Arms (6" to 10")	BL Black	PC Button Photocell
	40 40W/4360 ³	40 4000K	480 480V	T5 Type 5 ¹	YM Yoke Mount	WH White	WG Wire Guard
	60 60W/6560 ³	50 5000K ^{4,5}	(Step-Down Transformer used for 480V Divider)			CU Custom ²	SH Visor/Glare Shield

¹ Standard for fixture
² Contact factory for custom finish
³ Delivered Lumens (5000K)
⁴ Standard Color Temp.
⁵ Please specify voltage (eg. 120V)

Deco Lighting practices a program of continuous product development, and as a result product specifications change frequently. We reserve the right to change product specifications without notice. Contact Deco for the latest product information.

©2016 Deco Lighting, www.getdeco.com T: (800) 613-DECO F: (310) 366-6855 Rev Date: 7/20/16 #1

Features

- Sturdy one piece die-cast aluminum housing with left side hinges.
- One piece die-cast aluminum door has stainless steel, single captive door fastener for easy maintenance.
- Door has tempered clear glass lens which is thermal shock and impact resistant.
- Attractive dark bronze polyester powder coated finish for excellent impact, corrosion and UV resistance.
- UL 1598 listed for wet locations.
- Ideal fixture to handle multiple applications.
- Great for 12-15ft pole applications.
- Can be used as a flood, area, or full cut-off position luminaire.
- EPA 0.57.

Performance Data

CRI:	80+		
CCT:	3000K, 3500K, 4000K, 5000K		
Warranty:	10 yr. Limited Warranty		
Dimming:	Available with 0-10V inputs dimming down to 10%		
Operating Temperature:	0°-65°C Max Ambient		
L70 Rating:	100,000+ Hours		
IP Rating:	IP66		
Drive Current:	700mA		
Sound Rating:	Class A (inaudible in a 24dB ambient environment)		
BUG Rating:	B2	U0	G1

Delivered Light Output & Equivalency Chart

HID to LED Replacement

DELIVERED LUMENS	HID	LED Replacement
1300lm	50W	10W
2600lm	70W	20W
3900lm	100W	30W
5200lm	150W	40W
7800lm	175W	60W
11700lm	250W	80W
15600lm	400W	120W
26000lm	750W	200W
31200lm	1000W	240W

Interested in upgrading from HID to LED lighting? Use the conversion table above to get a general idea of what wattage LED fixture will replace your current lighting system. Lumen output and overall performance will vary by fixture, so please contact our factory or your nearest sales rep regarding specific questions on what wattage will best suit your desired space and application.