



DECO® | LIGHTING

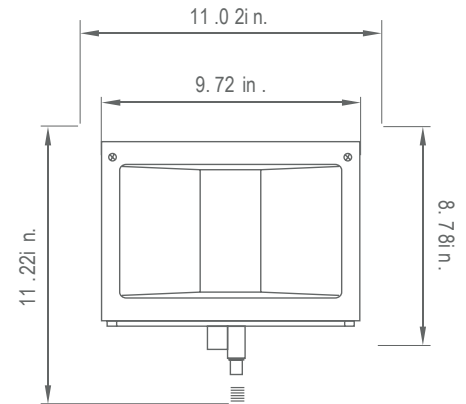
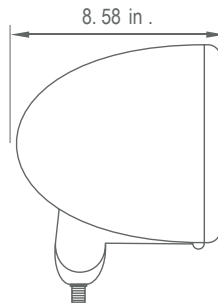
D211-LED

Medium Round Back Flood



Job Information

Type:	
Catalog #:	
Project:	
Comments:	
Prepared by:	



Description

The functional and aesthetically pleasing D211-LED is ideal for buildings, backyards, parks, signs, sports fields, and other general applications where flood lighting may come into use. Also suitable for accent, facade, landscape, parking lot, pathway, recreation, retail and security lighting.

Ordering Information

Example: (D211-LED-40-50-UNV-T5-HK-BL-WG)

D211-LED

Series	Wattage/Lumen	Color Temp.	Voltage	Optics	Mounting	Finish	Option							
Medium Round Back Flood	20	20W/2030 ³	30	3000K	UNV	120-277V	T2	Type 2	SF	Slip Fitter	BZ	Bronze ¹	PC	Photocell
	30	30W/3040 ³	35	3500K	347	347V	T3	Type 3	HK	Heavy Duty Adjustable Knuckle	BL	Black	WDF	Wired Double Fuse ⁵
	40*	40W/4050 ^{3,6}	40	4000K	480	480V	T4	Type 4	PF	Post Top Fitter	WH	White	WSF	Wired Single Fuse ⁵
	60	60W/6090 ^{3,6}	50	5000K ⁴		(Step-Down Transformer used for 480V Divider)	T5	Type 5 ¹	GST	Ground Stake Top Fitter	CU	Custom ²	TP	Tamper Proof
	80	80W/8120 ³					NSP	11 ^{0,7,8}	YM	Yoke Mount			GS	Glare Shield
						MSP	29 ^{0,7,8}					PG	Polycarbonate Lens Shield	
						MFL	67 ^{0,7,8}					WG	Wire Guard	

*Select-A-Watt model, factory set at listed wattage when shipped. Please contact factory for information on selectable wattages for this fixture.

¹Standard for fixture

²Contact factory for custom finish

³Delivered Lumens (5000K)

⁴Standard Color Temp.

⁵Please specify voltage (eg. 120V)

⁶DLC Listed Wattages (See Table on Page 3 for Additional Info)

⁷Under Glass

⁸60W & Below Only

Deco Lighting practices a program of continuous product development, and as a result product specifications change frequently. We reserve the right to change product specifications without notice. Contact Deco for the latest product information.

©2016 Deco Lighting, www.getdeco.com T: (800) 613-DECO F: (310) 366-6855
Rev Date: 1/24/17 #3



Digitize your light.®

Features

- Rugged cast aluminium “round back” housing protects internal components.
- Die-cast aluminium door with twin screw enclosure and hinged bottom.
- Tempered, impact resistant glass lens with weather tight gasket seal.
- Large .5” universal aiming swivel knuckle with various mounting adapters

- Slip Fitter mounting bracket designed to fit 2 3/8” pole
- Wide, uniform beam for signs, facades and small areas.
- Bronze or white protective powder coated finish.
- UL 1598 listed for wet locations.
- Approx. Weight: 13 lbs

Performance Data

CRI:	80+		
CCT:	3000K, 3500K, 4000K, 5000K		
Warranty:	10 yr. Limited Warranty		
Dimming:	Available with 0-10V inputs dimming down to 10%		
Operating Temperature:	0°-65°C Max Ambient		
L70 Rating:	100,000+ Hours		
IP Rating:	IP65		
Drive Current:	700mA		
Sound Rating:	Class A (inaudible in a 24dB ambient environment)		
Power Factor:	>0.95		
Total Harmonic Distortion:	<15%		
BUG Rating:	B3	U1	G1

Delivered Light Output & Equivalency Chart

HID to LED Replacement		
DELIVERED LUMENS	HID	LED Replacement
1300lm	50W	10W
2600lm	70W	20W
3900lm	100W	30W
5200lm	150W	40W
7800lm	175W	60W
11700lm	250W	80W
15600lm	400W	120W
26000lm	750W	200W
31200lm	1000W	240W

Interested in upgrading from HID to LED lighting? Use the conversion table below to get a general idea of what wattage LED fixture will replace your current lighting system. Lumen output and overall performance will vary by fixture, so please contact our factory or your nearest sales rep regarding specific questions on what wattage will best suit your desired space and application.

Options & Accessories

Glare Shield	Polycarbonate Lens Shield	Wire Guard	Heavy Duty Adjustable Knuckle
			
			
HID Ground Stake	Yoke Mount	External Mount Slip Fitter	Post Top Fitter

DLC Listing

	20W	30W	40W	60W	80W
3000K			X	X	
3500K			X	X	
4000K			X	X	
5000K			X	X	