



**WARNING**  
ELECTRICAL SHOCK HAZARD

**READ and UNDERSTAND these instructions before installing luminaire.**

Disconnect the Electrical supply power at the services panel (fuse or circuit breaker box). Failure to do so could result in serious injury.

Only qualified electricians should install this luminaire and the installation MUST conform to the Canadian Electrical Code Part I and any local codes and ordinances. Make sure you have the proper tools and materials to complete the installation before attempting to install the luminaire.

### WARNING

THIS PRODUCT CONTAINS CHEMICALS KNOWN TO THE STATE OF CALIFORNIA TO CAUSE CANCER, BIRTH DEFECTS, AND/ OR OTHER REPRODUCTIVE HARM. THOROUGHLY WASH HANDS AFTER INSTALLING, HANDLING, CLEANING OR OTHERWISE TOUCHING THIS PRODUCT.

### SAFETY PRECAUTIONS

Before starting the installation, disconnect the power by turning off the circuit breaker. Turning the power off by using the light switch is not sufficient to prevent electrical shock. This floodlight is for outdoor use and should not be used in areas of limited ventilation or high-ambient temperature. All work should be done by a qualified electrician.

### APPLICATION

This medium-size square-profile floodlight combines the durable strength of die-cast body construction with an aesthetically pleasing design shape. It is fully sealed and gasketed for both upward and downward aiming, its faceted reflector assembly delivers an effective forward throw pattern. Also it is fitted for several mounting arrangements. Typical applications include general lighting of grounds, storage yards, autosales lots and parking areas, and floodlighting of signs and building fronts.

### DRIVER VOLTAGE

Driver – Is designed for 120/277-480 volts.

**TROUBLE SHOOTER-CHECK LIST:** If the luminaire does not work.

Check Your Power Source.

Check Electrical Connections.

### INSTALLATION

1. Drill holes on pole using the nut plate as a template. Make sure that the nut plate is in a good position.

NOTE : The pole arm thickness should be at least 4”.

2. Install the thread rods through the holes in the pole.

3. Insert the nut plate inside pole and secure with hex nuts, o-rings and lock washers (not included).

4. Place the rubber gasket over threaded rods between the pole and the pole arm.

5. Put the pole arm on thread rods against the rubber gasket.

6. Install the second rubber gasket between the housing and the pole arm.

7. Open the fixture door by unscrewing the two (2) screws.

8. Install the thread rods through holes in the housing.

9. Insert the mounting plate inside fixture and secure with hex nuts, o-rings and lock washers (included).

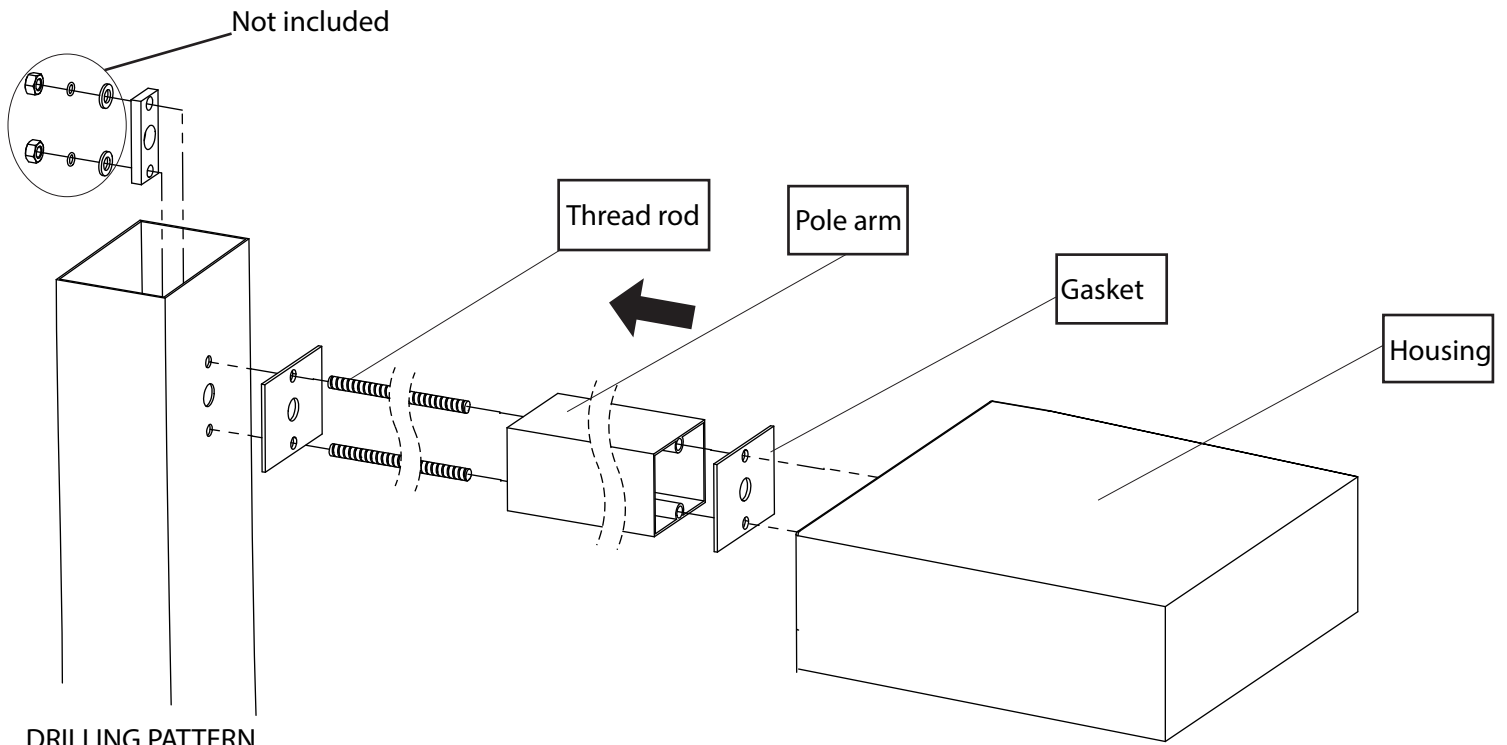
10. Pass wires through pole arm. Make wiring connections respecting polarity, white to white, green to green and black to black.

11. Make sure that the fixture is fixed and the nuts tighten.

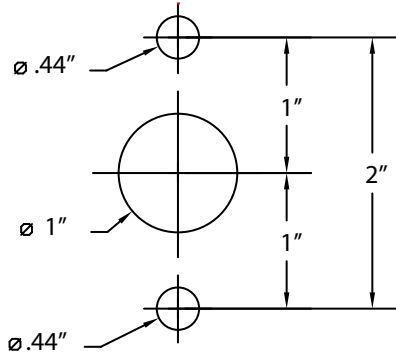
12. Turn on the luminaire..

# Installation Instructions

## MOUNTING INSTRUCTIONS



## DRILLING PATTERN



## SECTION VIEW

