

### PRECAUTION:

Before beginning installation or service, disconnect the power by turning off the circuit breaker. Turning the power off by using the light switch is not sufficient to prevent electrical shock. This fixture is for indoor use and should not be used in areas of limited ventilation or high ambient temperature. All work should be performed by a qualified electrician. This product must be installed in accordance with the applicable installation code by a person familiar with the construction and operation of the product and the hazards involved.

### INSTALLATION:

#### Junction Box for wiring:

1. Remove the cover plate from the junction box.
2. Connect input leads to the fixture leads inside the J-box.
3. If flexible conduit pipe is used, secure the pipe on the knock-out on the J-Box cover plate.
4. Re-install the junction box cover plate.
5. Loosen the 2 screws and slide the level plate if needed to allow the fixture to hang straight. Tighten the screws when the plate is positioned.

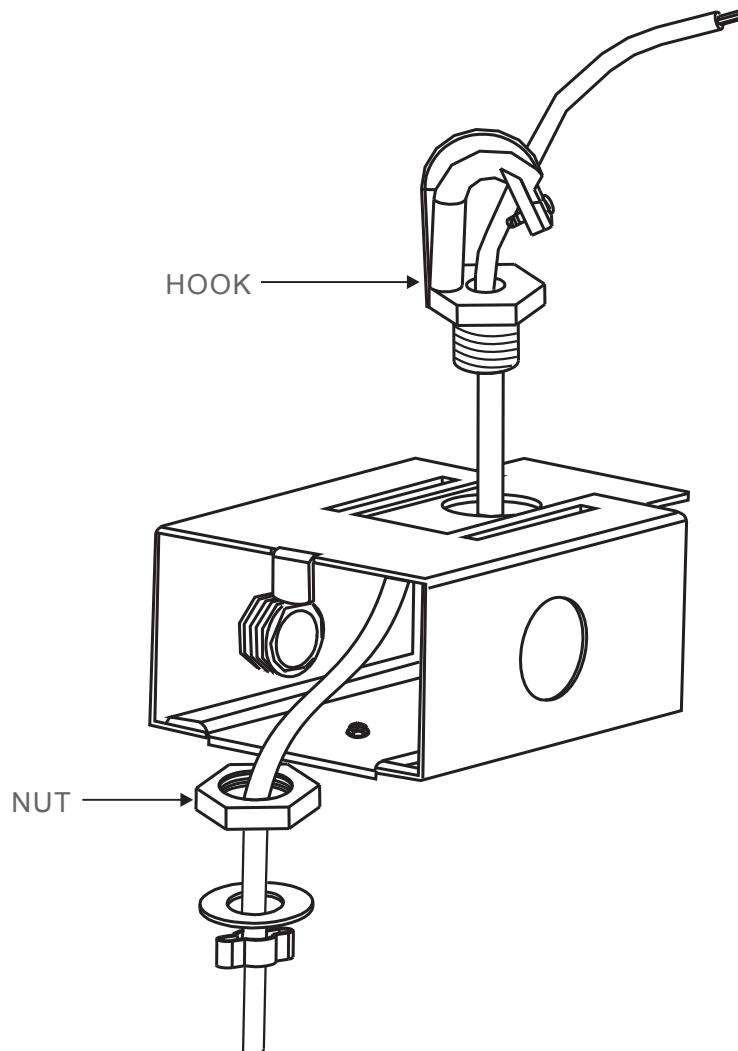
#### Note:

1. The LED driver in this unit is designed for 120-277 VAC input. No change needed to the driver wires.
2. Must screw down the safety screw located on the hook assembly to prevent the fixture falling by accidently.

### TROUBLESHOOTING CHECKLIST: If the light does not work.

Check your power source.

Check your wire splices.



**Note:**

Install hook by slipping cord thru the hook opening and threading the hook into the stamped plate on top. Complete installation by removing side cover to Jbox and screwing the nut on the inside of the j box to the hook.